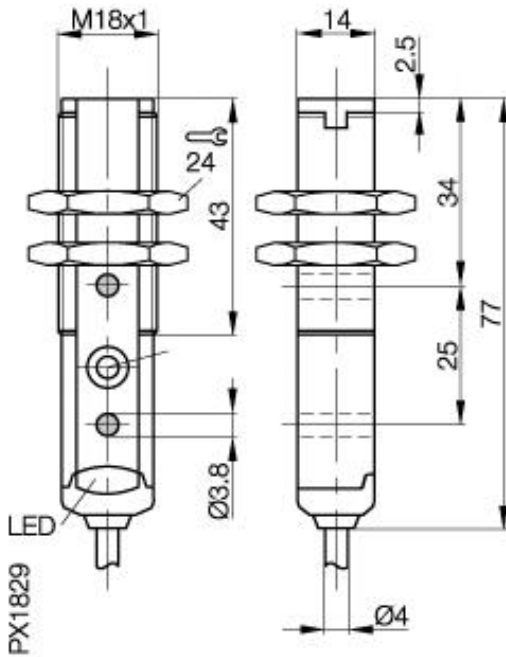


Photoelectric Sensor
BKT 18KF-001-P-02
Sn=10mm
Contrast sensor



Common Data

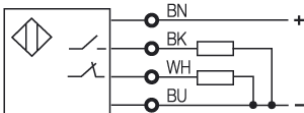
Series	BKT
Sensortype	Contrast sensor
Switching frequency	5000 Hz
Rated operating distance Sn in mm	10
asured operating distance Sa	10 ±2
Indication Supply Voltage	yes, green LED
Indication Switching element on	yes, yellow LED
Indication Special funktion	wrong adjustment, LED red
Ambient temperature	-25...+55°C
Light	LED white
Wavelength / Laser protection class	400...700 nm
Sensitivity Adjustment	Teach in
Permissable ambient light	acc.. EN 60947-5-2
Output function	light-on or dark-on

Mechanical Data

Measurements	M18x77
Housing material	PBT
Material of sensing face	PMMA
Degree of protection	IP67
Connection	Cable
Weighth	75g

Electrical Data

Current	DC
Switching function	NO/NC
Output	PNP
Rated operational voltage Ue	24 DC
Rated operational current Ie	<100mA
Supply Voltage	10...30V DC
Frequency of Supply Voltage	DC
No-load supply current	≤ 25mA
Voltage drop	<2V
Short protection	yes
Protected against polarity reversal	yes



Utilization categories
 Insulation class

Datasheet number:

Definitions see general catalog.
 If not otherwise noted, ratings according to
 IEC 60947-5-2 (DIN EN60947-5-2)

Balluff GmbH
 Schurwaldstrasse 9
 73765 Neuhausen a.d.F.
 Phone (07158) 173-0 Fax (07158) 5010

Datenblatt by CD-ROM - 04/2007

BALLUFF
 sensors worldwide